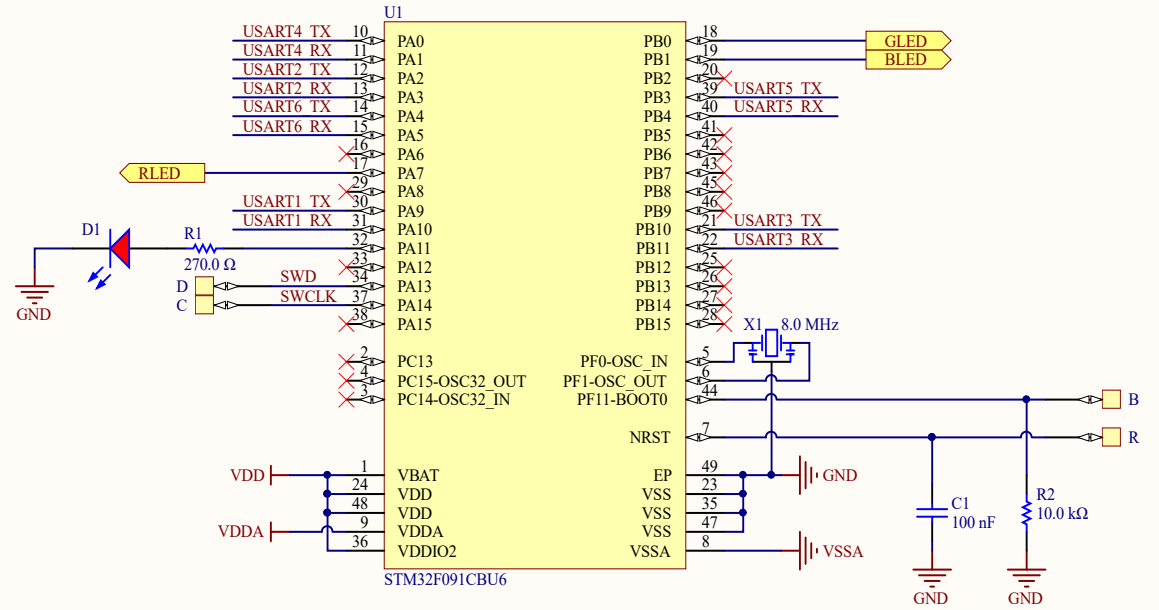
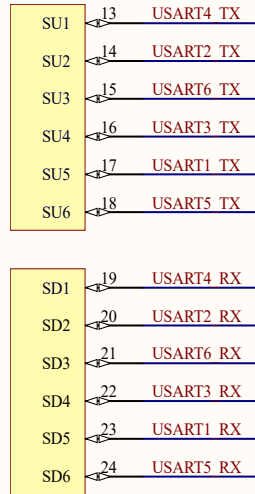
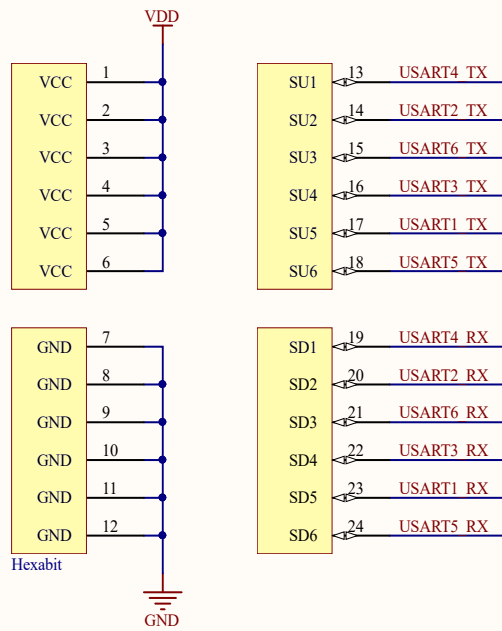
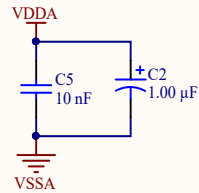


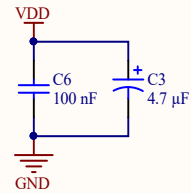
VDD = +3.3V



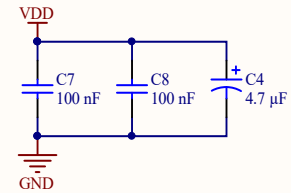
VDDA Coupling



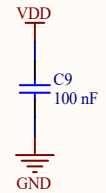
VDDIO2 Coupling



VDD Coupling



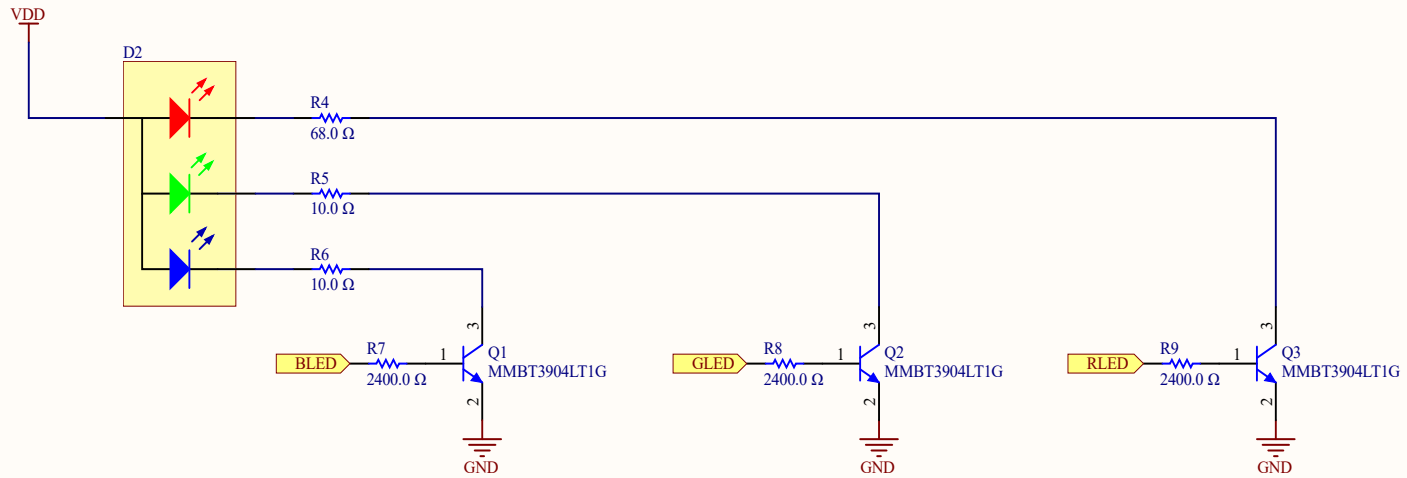
VBAT




Title: <b>MCU - H01R00</b>			Module: H01R00.PrjPcb
Size: Letter	Author: Asaad	Revision: 0	Description: RGB LED
Date: 4/30/2017	Time: 10:44:58 AM	Sheet 1 of 2	
File: H01R00 MCU.SchDoc			www.hexabitz.com



VDD = +3.3V



Title <b>Peripheral - H01R00</b>			Module: <i>H01R00.PrjPcb</i>
Size: Letter	Author: Asaad	Revision: 0	Description: <i>RGB LED</i>
Date: 4/30/2017	Time: 10:44:58 AM	Sheet 2 of 2	
File: H01R00_Peripheral.SchDoc			 <b>www.hexabitz.com</b>